



Service Manual

Washer dryer

Frontloader

WT 9840 A/WS-D

Model Version		Page
WT 9840 A/WS-D 8554 420 22110		
	Technical data	2 - 4
	Spare part list	5 - 6
	Exploded view	7 - 8
	Wiring diagram	9 - 10
	Circuit diagram	11 - 12
	Program diagram	13

Technical data**Dimensions**

Height	85	cm
Width	59.5	cm
Depth	60	cm

Weight

Without packing	91.5	kg
-----------------	------	----

Main connection

Voltage	230	V
Frequency	50	Hz
Power consumption	2.1	kW
Fuse rating	10	A

Drum

Volume	48	l
Wash spin	54 ± 3	rpm
Speed spinning	700	rpm
Speed spinning max.	1400	rpm

Capacity of dry laundry**Washing**

Cotton/ coloured laundry	5	kg
Cotton short	5	kg
Cotton rapid	3	kg
Easy care	2.5	kg
Easy care rapid	1.5	kg
Delicate	1.5	kg
Wool	1	kg

Drying

Cotton/ coloured laundry	2.5	kg
Easy care	2	kg

Pressostat**Quantity of water at switching point**

Level 1	~ 5,2	l
Level 2	~ 8,7	l
Level 4	~ 20,6	l
Overflow level	~ 31,2	l
Rated voltage	220 - 240	V

Nominal current**Contacts:**

11 - 12	16	A
11 - 14	16	A
31 - 34	6	A
21 - 22	1	A
31 - 32	1	A
31 - 36	1	A

Door lock

Lock time	20"	
Unlock time	60" - 78"	
Nominal voltage	250	V
Frequency	50-60	Hz
Nominal resistor(25°C)	500 +20%	Ω
Nominal current	16	A

Heating element washing

Kind of heating	Tubular heating element	
Max. operating temperature	100	°C
Nominal voltage	230	V
Nominal power	2050 ± 5%	W
Heat conductor		
resistance	24.5 ± 5%	Ω
Load sensitive	8.4	W/cm

Heating element drying

Kind of heating	Tubular heating element	
Max. operating temperature	650	°C
Nominal voltage	230	V
Nominal power	1500 ± 5%	W
Heat conductor		
resistance	32.2 ± 5%	Ω
Load sensitive	5.9	W/cm

Inlet valve, 3-fold

Water temperature	25	°C
Rated flow (1-10 bar)		
Outlet 1+2	8 ± 5%	l/min
Outlet 3	0.5 ± 15%	l/min
Pressure range	0.2 - 10	bar
Nominal voltage	220 - 240	V
Frequency	50 - 60	Hz
Starting voltage < 6 bar	140	V
6-10 bar	160	V
Nominal current	35	mA
Nominal power	6	VA
Nominal resistor(20°C)		
coils 1+2	3820 ± 10%	Ω
coil 3	4060 ± 10%	Ω

Technical data

Drain pump (synchronous)

Transit- and storage temperature	-25 to +60	°C
Motor protection	Klixon	
Resistance (coil)	25 ± 7%	Ω
Power consumption	68	W
Drain pump blocked	97	W
Pumpingoperation	90	W
Rotary speed	2900	rpm
Nominal voltage	220-240	V
Frequency	50	
Capacity (1m height)	23	l/min
Max. medium temperature	95	°C

Program timer (washing)

Type	Eaton EC 4303.01	
Basic cycles	3	
Total positions	60	
Cotton/coloured laundry	pos.	01-26
Easy care	pos.	27-44
Delicate/Wool	pos.	45-60

Timer drying

Type	Eaton BT 4054	
Rated voltage	220/240	V
Rated current max.	16	A
Time max.	120 ± 3	min

Motor electronic

Type	BT 2215 speed electronic for AC motor	
Input / output:		
Tachogenerator	M 7 - 1	
	M 7 - 2	
Collector	M 7 - 3	
	M 7 - 4	
Field	M 7 - 5	
Field	M 7 - 6	
Branch	M 7 - 7	

Motor

Type	AEG UOZ 112 G63 i = 1 : 12.4	
CESET	1400	rpm

Blower motor

Type	MES M15	
Nominal voltage	220-230	V
Frequency	50	Hz
Power consumption	30	W
Rated speed	2700	rpm
Motor protection	Klixon	
Switch-off temperature	140	°C

Motor capacitor

Type	AEG MAB MP 1/400	
Capacity	1 ± 10%	μ F

Radio interference supression

Type	AEG	
Nominal voltage	250	V
Nominal capacity	1μ FX1+2x22nFY1	

Thermostat Th 2.1 Washing 1-stage (Bimetal)

Temperature rate OFF	39 ± 3	°C
Temperature rate ON	29	°C
Rated voltage	250	V
Rated current	16	A

Rotary thermostat Th 1.2 washing (contact sensor)

Rated voltage	380	V
Rated current	16	A

Thermostat Th 1.4 drying 1-stage (Bimetal)

Temperature rate OFF	92 ± 3	°C
Temperature rate ON	78 ± 3	°C
Rated voltage	250	V
Rated current	10	A
Colour code	red	

Thermostat Th 1.5 drying 1-stage (Bimetal)

Cooling water inlet		
Temperature rate ON	65 ± 5	°C
Temperature rate OFF	40 ± 5	°C
Rated voltage	250	V
Rated current max.	10	A
Colour code	blue	

Technical data

Thermostat Th 1.6 drying 1-stage (Bimetal)

Temperature rate OFF	135 ± 5	°C
Temperature rate ON	119 ± 5	°C
Rated voltage	250	V
Rated current max.	10	A
Colour code	white	

Safety thermostat Th 1.3 drying 1-stage (Bimetal)

Temperature rate OFF	170 ± 5	°C
Temperature rate ON	manual resettable	
Rated voltage	250	V
Rated current	10	A
Color code	none	

Push botton switch

Functions	4
Main switch - MS	ON/OFF
SSS	reduction of spin-speed
SDS	spin delay switch
PSe2	economic wash (water reduction)

Switch behind drawer plate

PS6	additional cool-down
-----	----------------------

Spare part list

Model **WT 9840 A/WS-D**
Service No. **855442022110**
Version **855442022110**

Pos. No.	12NC Code	Description
001 0	4812 440 18164	Cabinet
003 0	4812 464 48004	Traverse
011 0	4812 500 18005	Foot
021 0	4812 440 18141	Front
024 0	4812 440 18106	Panel, rear
025 0	4812 440 18337	Holder timer
030 0	4812 310 38057	Table top
033 0	4812 310 18024	Plate
034 0	4812 417 58032	Fastener table top
034 1	4812 417 58012	Bushing table top
040 0	4812 417 18345	Hinge cpl.
040 1	4812 417 28009	Insert
053 0	4812 459 38004	Plinth WH
054 0	4812 417 28036	Rotary locking
061 1	4812 466 88137	Counter weight
066 0	4812 310 18267	Insulation Noise
080 0	4812 466 48002	Shock absorber
086 0	4812 401 18037	Holder damper
110 0	4812 498 18013	Grip
130 0	4812 417 28012	Lock door
141 0	4812 450 68022	Door glass
142 0	4812 450 68134	Protector
143 0	4812 440 18132	Glassdoor frame
144 0	4812 459 28039	Frame,door glas
190 0	4812 466 68328	Door bellow
190 1	4812 492 98008	Strap
190 2	4812 492 18001	Spring,tension
200 0	4812 418 18018	Container
201 0	4812 464 48086	Bottom tub
210 0	4812 520 18034	Crosspiece
220 0	4812 418 18025	Drum
228 0	4812 418 18096	Crosspiece,drum
271 0	4812 358 18007	V-ribbed belt 1260 J5
272 0	4812 528 58004	Pulley
272 1	4812 532 28006	Bushing conical
292 0	4812 530 58003	Gasket tub bottom
293 0	4812 530 58068	Gasket
301 0	4812 452 18534	Control panel
303 0	4812 498 18022	Grip
322 0	4812 452 18533	Panel insert WT 9840 WS
331 0	4812 413 48148	Knob wh
332 0	4812 410 28515	Push button
341 0	4812 413 78423	Index,programm
341 1	4812 413 78105	Index,temperat.
341 2	4812 413 78299	Indication disc dryer
355 0	4819 280 18015	Buzzer
401 0	4812 361 58061	Motor
401 1	4812 362 48003	Brush,carbon motor AEG
420 0	4812 121 18065	Capacitor
421 0	4812 121 18066	Interf.filter
430 0	4812 360 18018	Pump,draining 220V/50HZ
430 1	4812 360 78028	Bottom Pump body
432 0	4812 360 78005	Pump body
433 0	4812 515 28007	Impeller, pump pomp
440 0	4812 310 18299	Motor,fan Set 50 Hz

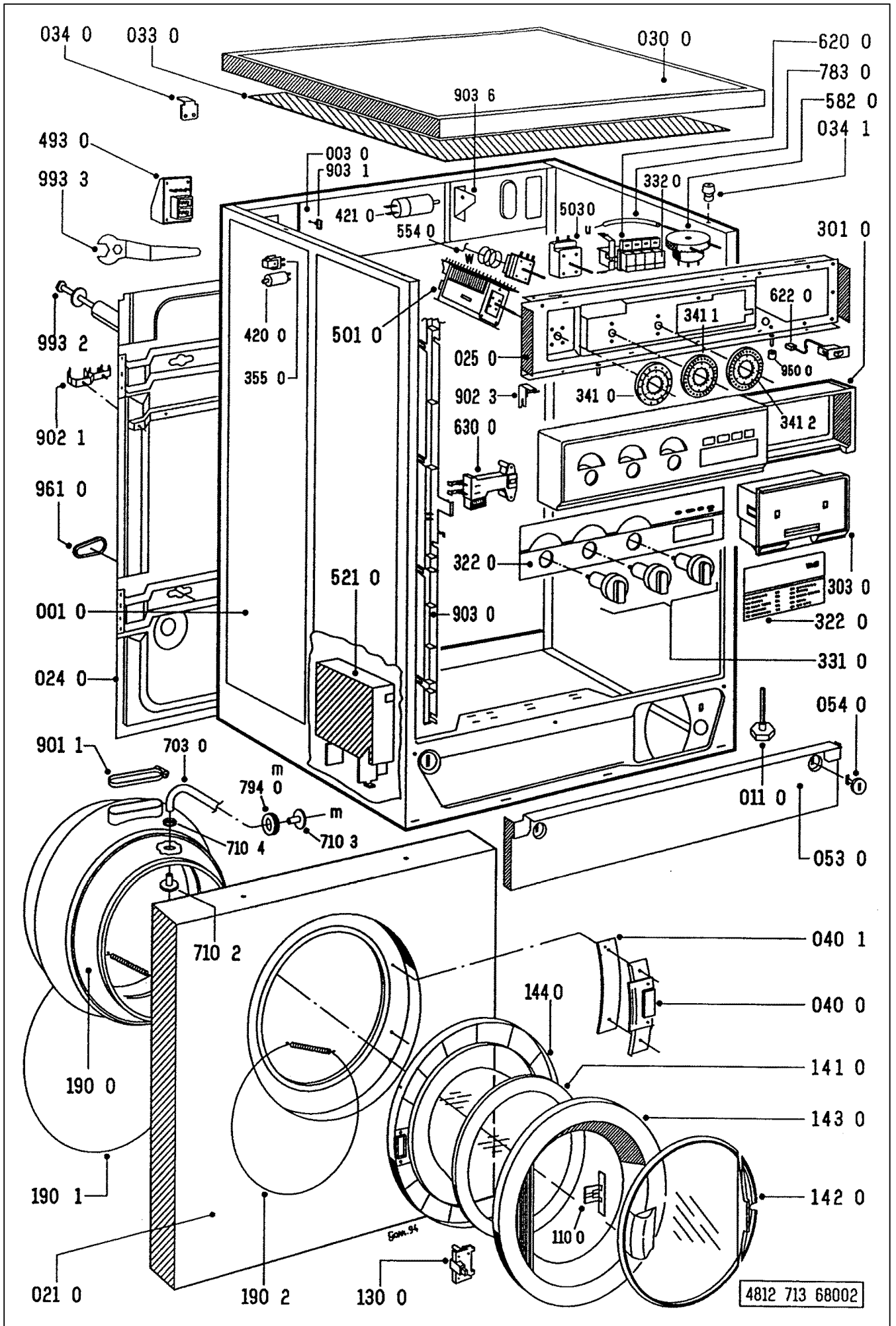
Pos. No.	12NC Code	Description
451 0	4812 259 28265	Heating element 2050 W
451 2	4812 310 38013	Heating element 1600 W
452 0	4812 532 18038	Flange
452 0	4812 535 98044	Hoop
452 0	4812 535 98045	Hoop
452 1	4812 530 48048	Air guide top
452 2	4812 530 48049	Air guide bottom
452 4	4812 310 38022	Insulation
452 8	4812 532 28016	Clip,fix
480 0	4812 310 38021	Cable set
493 0	4812 290 88003	Terminal block
501 0	4812 282 18268	Timer
503 0	4812 310 38017	Time switch
507 1	4812 530 58069	Gasket
521 0	4812 214 78121	Unit electrical BT2215 X
551 1	4812 282 48018	Thermostat 1 Temp.
551 2	4812 310 38016	Thermostat KD-Set 130 C
551 6	4812 282 28061	Thermostat KD-Set 65 C
551 9	4812 310 38015	Thermostat KD-Set 92 C
554 0	4812 271 28177	Thermostat
564 0	4812 310 38014	Thermostat KD-Set 170 C
573 0	4812 281 28047	Valve,magnet
583 0	4812 271 28175	Pressostat 4-Step
620 0	4812 276 48004	Switch,pushbut.
622 0	4812 277 18072	Switch,double
630 0	4812 280 58012	Door lock
701 0	4812 530 28081	Hose, inlet 3/8Z cpl. 5m
701 0	4812 530 28082	Hose, inlet 3/8Z cpl. 3m
701 0	4819 530 28283	Hose, inlet 2m
701 0	4819 530 28548	Hose, inlet aqua stop 2m
701 1	4822 480 50159	Sieve inlet
702 0	4812 530 28234	Hose, inlet
702 2	4812 530 28236	Air tube
702 3	4812 530 28241	Hose, inlet
702 4	4812 530 28271	Hose
703 0	4812 530 48005	Hose window rinsing
703 1	4812 530 28239	Hose
703 3	4812 530 28242	Connection pipe
707 0	4812 526 48029	Nozzle
708 1	4812 530 28733	Bend
710 2	4812 530 48001	Nipple f.door seal
710 3	4812 526 48002	Nipple
710 4	4812 530 78011	Washer edge disc
711 0	4812 418 68121	Dispenser
718 0	4812 526 48008	Siphon
741 0	4812 530 48051	Fan box
741 1	4812 530 48052	Fan box
743 0	4812 530 48047	Air guide
750 0	4812 530 48031	Tank outlet receptable
753 1	4812 418 68127	Chamber,air
754 0	4812 530 28067	Drainhose cpl.
760 0	4819 480 58106	Cover,pump
781 0	4819 530 28534	Hose,draining
781 1	4812 530 28072	Hose,draining inside
781 2	4819 530 28286	Sleeve hose

Spare part list

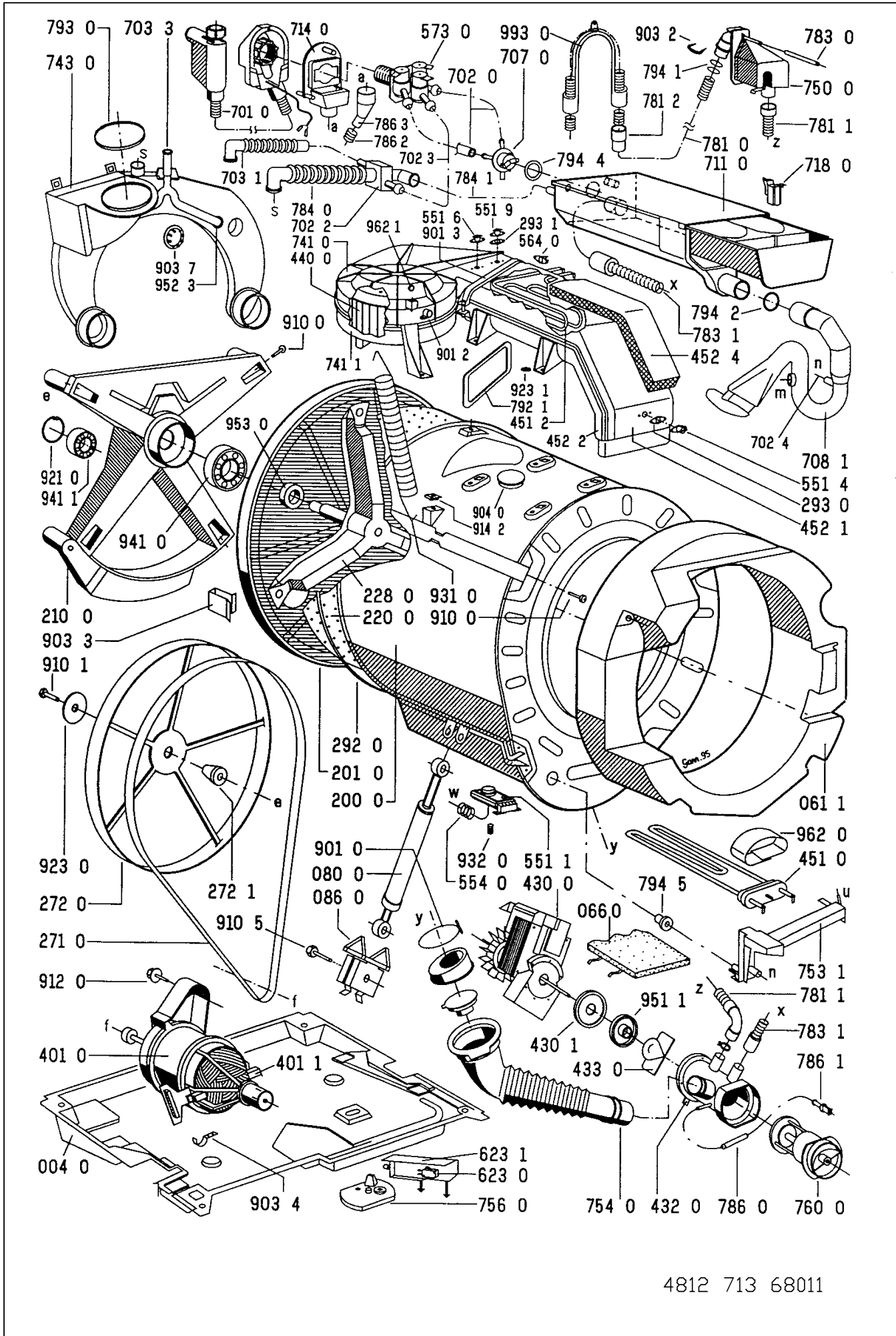
Model **WT 9840 A/WS-D**
Service No. **855442022110**
Version **855442022110**

Pos. No.	12NC Code	Description
783 0	4812 530 28078	Hose pressostat
783 1	4812 530 28061	Hose
784 0	4812 530 28238	Bellows
784 1	4812 530 28237	Hose
786 0	4812 530 28326	Hose
786 1	4812 462 78179	Threaded cap
791 0	4812 530 58066	Gasket
792 0	4812 530 58063	Gasket
792 1	4812 530 58064	Gasket
792 2	4812 530 58065	Gasket f. Heating
793 0	4812 530 58062	Gasket
794 0	4812 530 28062	Gasket window rinsing
794 1	4819 530 58032	Gasket 20x2,5
794 2	4812 530 58005	O-Ring
794 4	4812 530 58007	O-Ring
794 5	4812 530 58015	Gasket
901 0	4812 401 18401	Strap
901 1	4812 532 28021	Strap
901 2	4812 532 28018	Strap
901 3	4812 310 38012	Strap
902 0	4812 404 48527	Angle iron
902 1	4812 401 18052	Holder,hose
902 3	4812 417 28004	Angle iron
903 0	4812 290 88007	Cable clamp
903 1	4812 462 78048	Stopper
903 2	4812 401 18055	Clip hose
903 3	4812 532 38003	Clip tub
903 4	4812 290 68013	Clamp,cable motor
903 6	4812 404 48398	Fastener
903 6	4812 466 88089	Holder
903 7	4812 535 98043	Clip,fix
904 0	4812 462 78165	Threaded cap
910 0	4812 452 18994	Screw M8x20 A2F
910 1	4812 452 18995	Screw
910 5	4812 502 18359	Screw damper
912 0	4812 502 18361	Screw M8x30
914 0	4812 505 18033	Nut
914 2	4812 505 18032	Nut
915 0	4812 903 00302	Nut not shown m 8 DIN 934-8
921 0	4812 011 18522	Ring,circlip 52x2
923 0	4812 532 18039	Washer
931 0	4812 492 38353	Spring,suspens. red Agg.2
932 0	4812 492 48009	Spring
941 0	4812 520 28003	Bearing,ball 6306
941 1	4812 520 28005	Bearing,ball 6304
950 0	4812 466 68428	Gasket kit
951 1	4812 530 68011	Shaft seal
952 3	4812 530 58067	Gasket
953 0	4812 530 68001	Shaft seal V 40 A
961 0	4812 321 48004	Cover
962 0	4812 466 38011	Cover,protect. heating element
962 1	4812 321 48013	Grommet,cable
993 0	4819 530 28279	Bow
993 2	4812 395 88005	Fastener transit
993 3	4812 395 58001	Tool f. foot

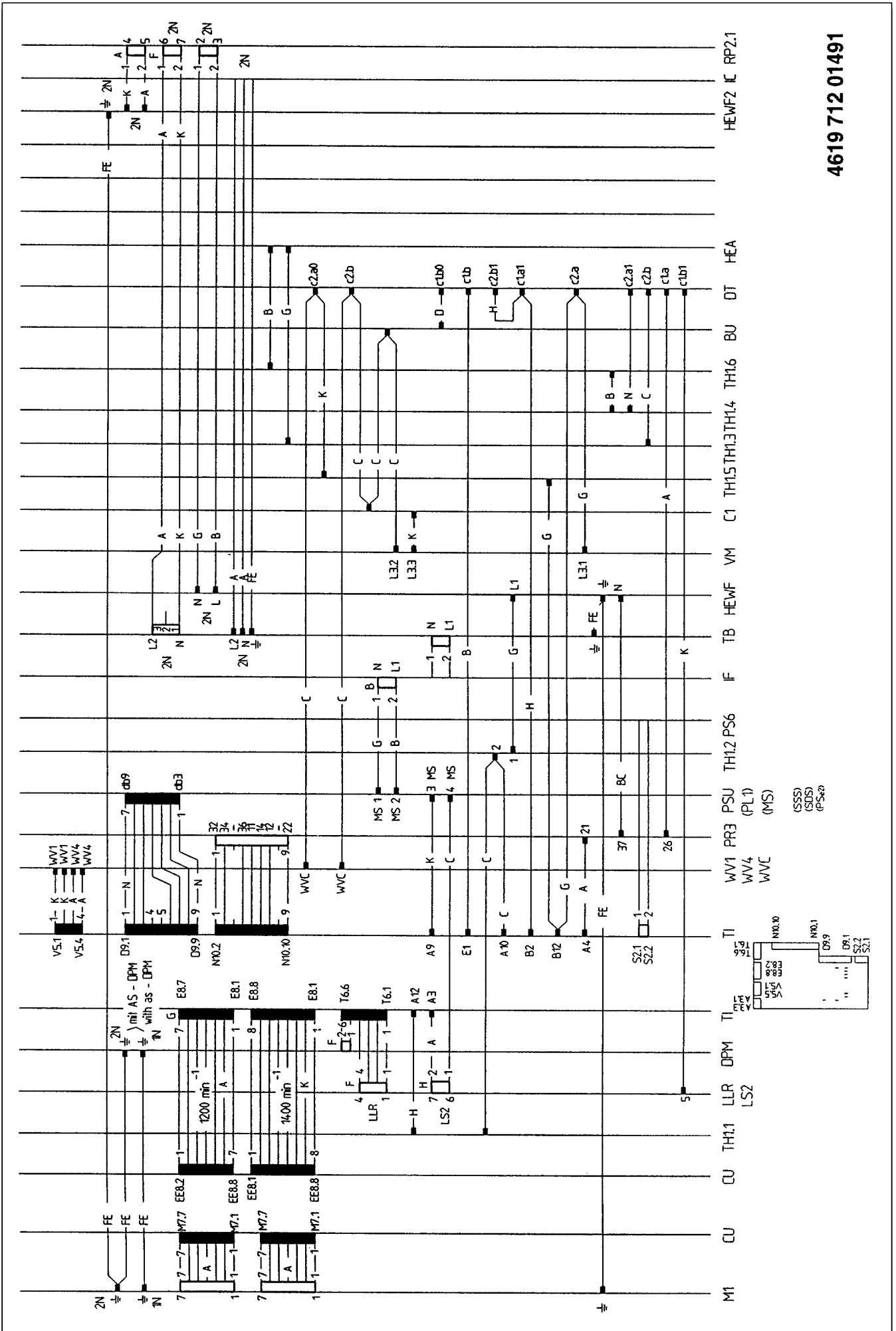
Exploded view



Exploded view



Wiring diagram

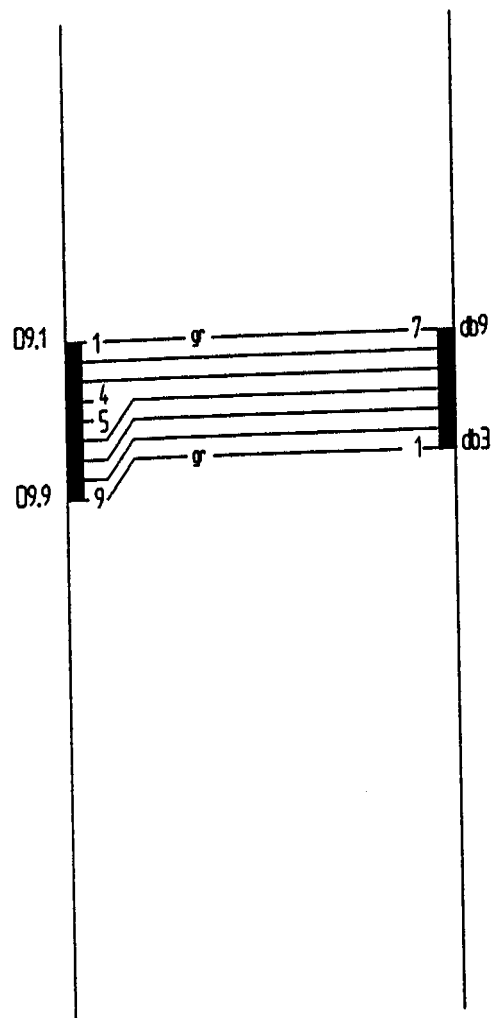


4619 712 01491

Wiring diagram

Abbreviations

BU	buzzer
C1	capacitor (operation)
CU	speed control unit (electronic)
DPM	motor (drain pump)
DT	timed control unit
HEA	tubular heating element (air)
HEW	tubular heating element (water)
IF	radio interference filter
LLR	ram-relais
LS2	switch (with door locking)
M1	motor (drive)
MS	main switch
PL1	pilot lamp (operation)
PR3	pressostat (3-pole)
PS2	switch (delicate/gentle)
PS6	water cool down
PSE2	switch (economy)
PSU	switch combination (+ indication)
SDS	single button spinning
SSS	switch (rotary speed)
TB	terminal bar (mains)
TH1.1	thermostat (1-pole)
TH1.2	rotary thermostat
TH1.3	thermostat (1-pole)
TH1.4	thermostat (1-pole)
TH1.5	thermostat (1-pole)
TH1.6	thermostat (1-pole)
TI	timer, programmer
TM4	motor (time control unit)
VM	motor (blower)
WV1	water valve (pre-washing)
WV4	water valve (main washing period)
WVC	water valve (condensation)

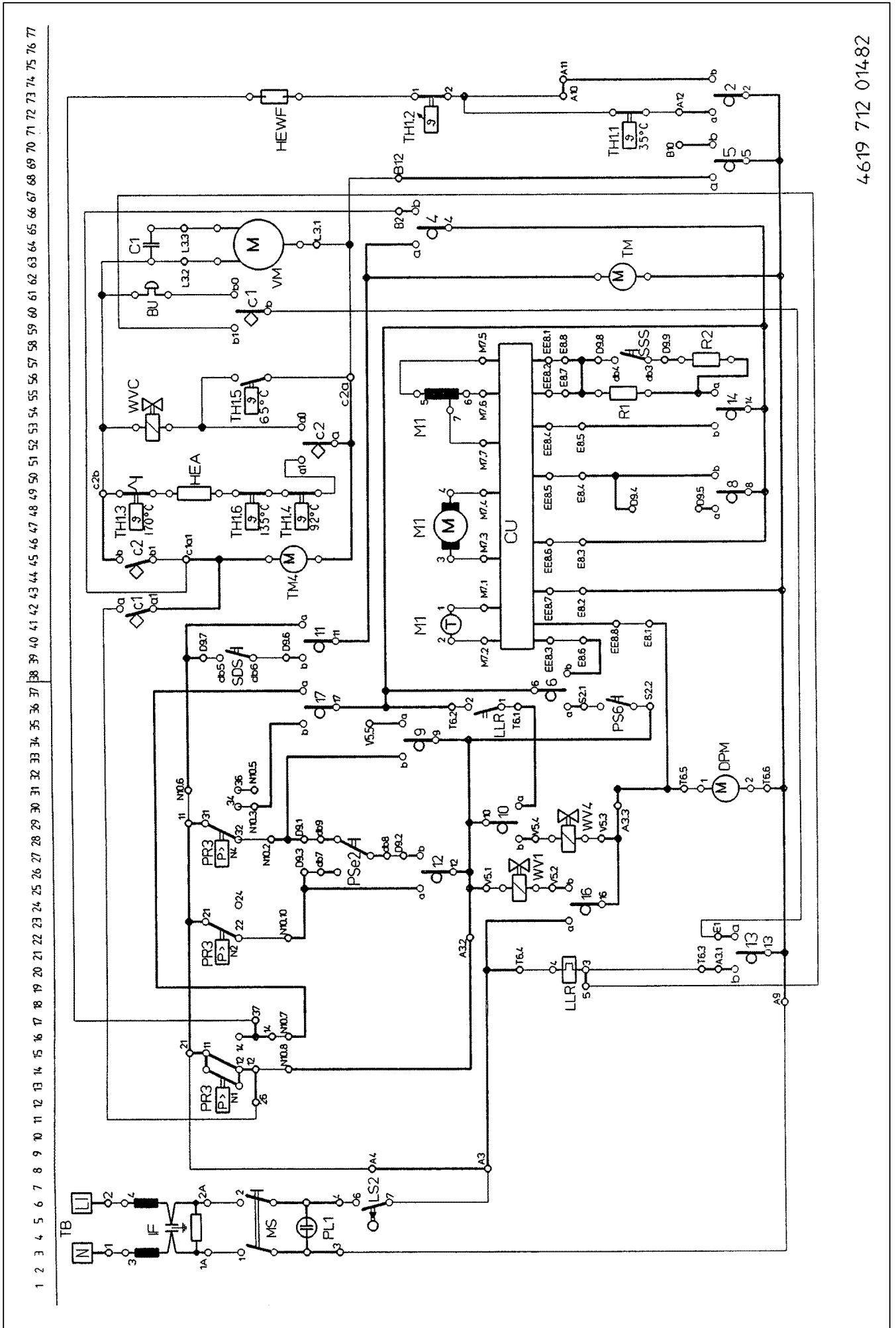


TI

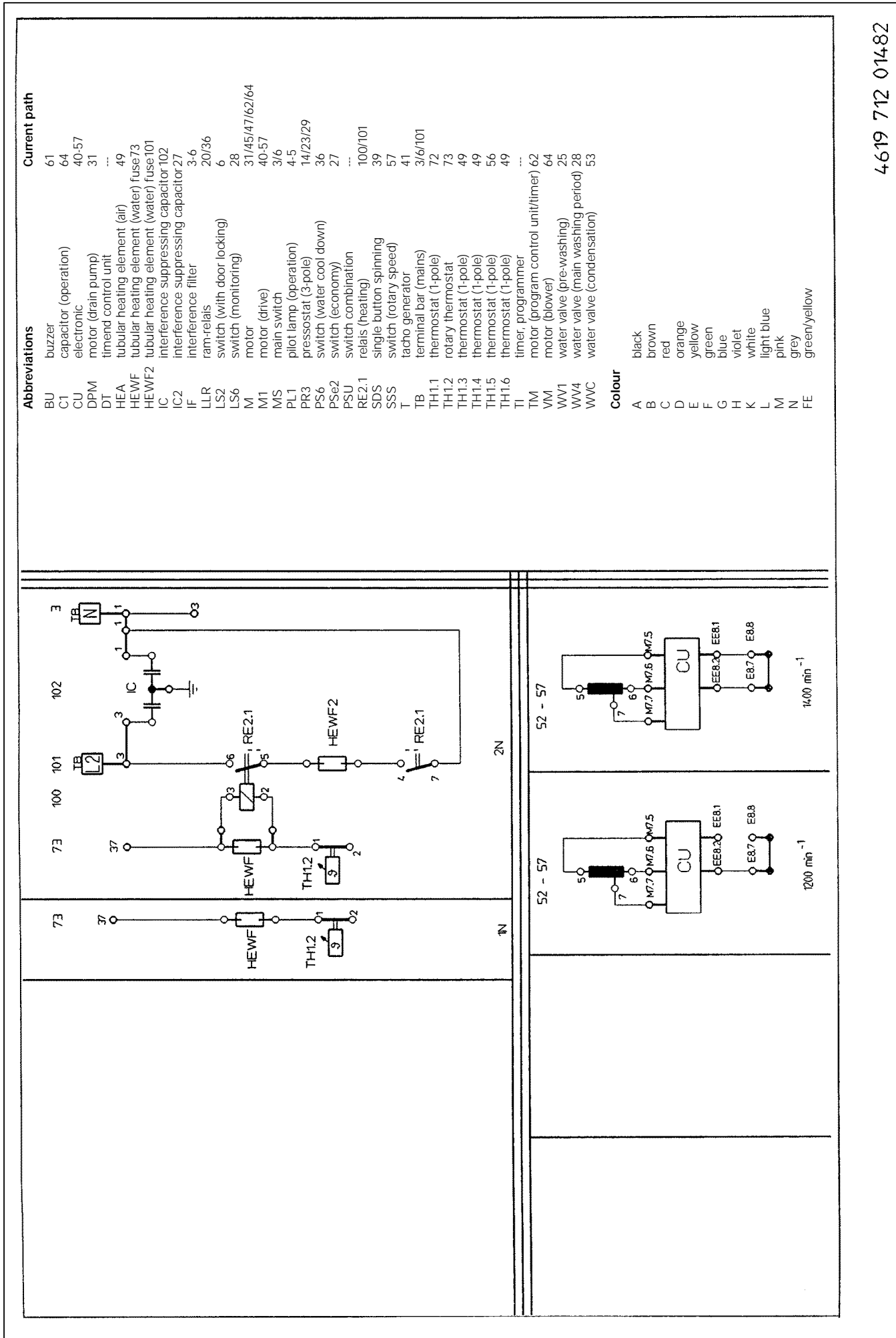
SSS
SDS
PSe2

4619 712 01491

Circuit diagram



Circuit diagram



Abbreviations	Current path
BU	buzzer
C1	capacitor (operation)
CU	electronic
DPM	motor (drain pump)
DT	timend control unit
HEA	tubular heating element (air)
HEWF	tubular heating element (water) fuse
HEWF2	tubular heating element (water) fuse
IC	interference suppressing capacitor
IC2	interference suppressing capacitor
IF	interference filter
LLR	ram-relais
LS2	switch (with door locking)
LS6	switch (monitoring)
M	motor
M1	motor (drive)
MS	main switch
PL1	pilot lamp (operation)
PR3	pressostat (3-pole)
PS6	switch (water cool down)
PS62	switch (economy)
PSU	switch combination
RE2.1	relais (heating)
SDS	single button spinning
SSS	switch (rotary speed)
T	tacho generator
TB	terminal bar (mains)
TH1.1	thermostat (1-pole)
TH1.2	rotary thermostat
TH1.3	thermostat (1-pole)
TH1.4	thermostat (1-pole)
TH1.5	thermostat (1-pole)
TH1.6	thermostat (1-pole)
TI	timer, programmer
TM	motor (program control unit/timer)
VM	motor (blower)
WV1	water valve (pre-washing)
WV4	water valve (main washing period)
WVC	water valve (condensation)

Colour	
A	black
B	brown
C	red
D	orange
E	yellow
F	green
G	blue
H	violet
K	white
L	light blue
M	pink
N	grey
FE	green/yellow

4619 712 01482

